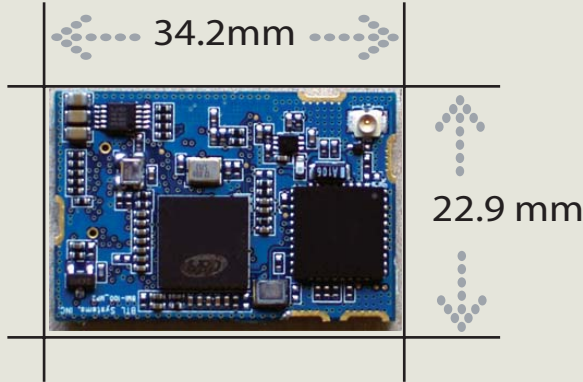


BMI-100 / BMI-120

ISDB-T 1seg A/V Module

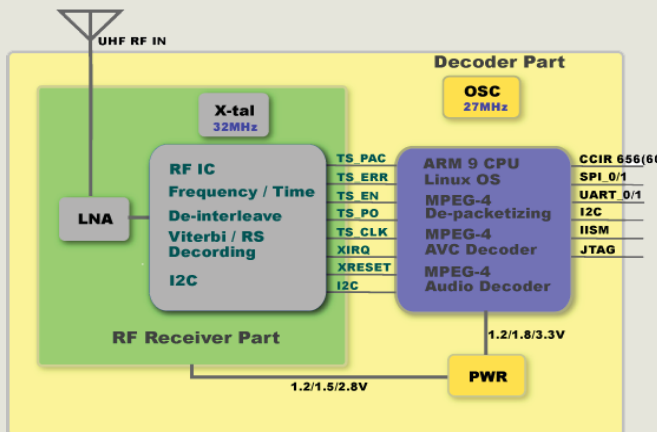
BTL's ISDB-T A/V Module solution supports Japan(Brazil) mobile broadcasting service that changes multimedia signals such as voice and video to digital signals and provides those signals to fixed, portable, or vehicle receivers. BTL's solution include customized S/W for various application

BMI-100



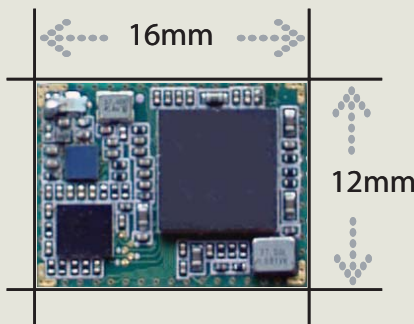
SPECIFICATION

ITEM	DESCRIPTION
Technical Standard	ISDB-T 1 Seg. for Japan
Frequency Range	470MHz~770MHz (UHF CH 13~62)
RF Sensitivity	-108 ± 3dBm @ 1 Seg, CR1/2 (equal to -95 ± 3dBm@ 13 Seg, CR2/3)
Operating Voltage	3.3V / 1.2V External input
Power Consumption	Typ. 740mW (1.2V:200mA, 3.3V:150mA)
RF Input @Antena	50 ohm
Video output	Composite / CCIR656
Video out Level	1Vp-p / 75 ohm , 8bit(3.3V interface)
Video Decoder	MPEG4-AVC / H.264
Video Decoding	Up to QVGA 30 frames/sec
Audio output	Analog Stereo 2CH
Audio Decoder	AAC+
Command Interface	UART



ITEM	Min	Typ	Max	Unit
Power Supply	3.24	3.30	3.36	V
	1.17	1.20	1.22	V
Operating temperature	-10	-	65	°C
Operation humidity	0	-	90	%

BMI-120



← It's real size !

